



HINO
500 Series



TOYOTA TSUSHO AMERICA, INC.

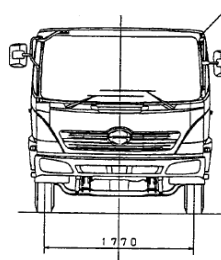
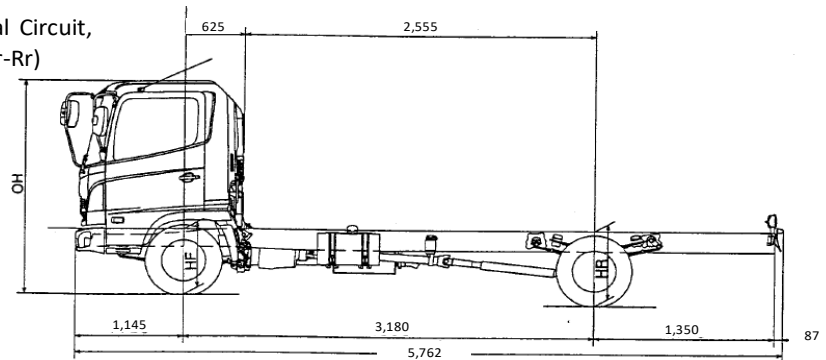
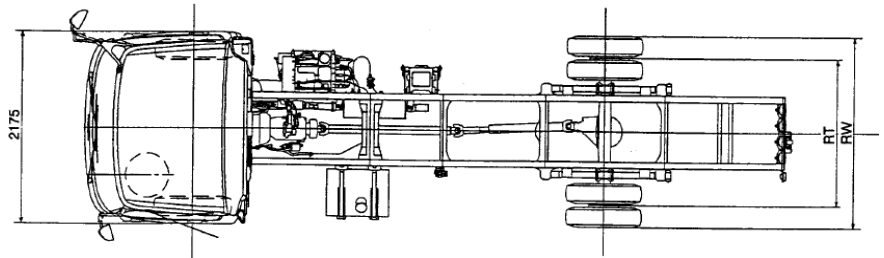
**10 TON CHASSIS (SHORT)
FC3JDPD/UD (EURO 1)**



Specifications

Engine Type	Diesel, 4 cycles, 5 Cylinders, In-Line, Water Cooled
Engine Power	154 HP/(ISO NET) @ 2,900 rpm
Displacement	6,634 cc
Air Intake System	Natural Aspirated
Load Capacity	7.5 Tons
Max. Speed	92 Km/h
Gradeability	41.1%
GVWR	10,400 kgs.
Steering	Power Steering
Service Brakes	Air Over Hydraulic, Dual Circuit, Two Leading Shoes (Fr-Rr)
Transmission	5 forward + reverse, Synchromesh 2nd-5th
Wheelbase	3,180 mm
Recommended Body Length	10 ft
Tires	8.25R16-14 PR
Warranty	2 Years or 50,000 Kms.

DIMENSIONS (mm)



Included Option:

- Air Conditioner
- Back Buzzer
- Fog Lamps
- 100L Fuel Tank
- AM/FM Radio w/Clock
- Under Mirror
- Tachometer & Overrun Buzzer