



**HINO**  
**500** Series



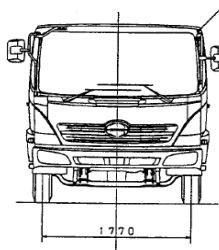
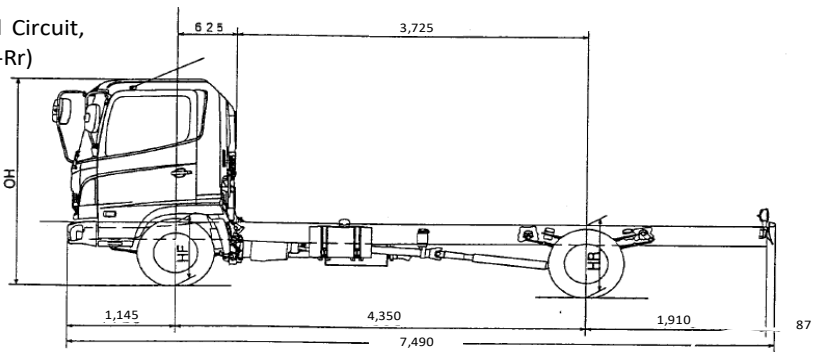
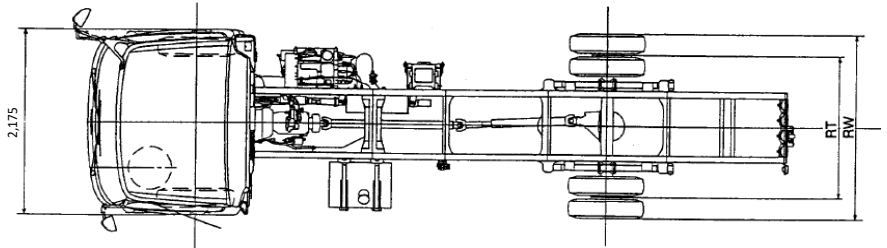
TOYOTA TSUSHO AMERICA, INC.  
**10 TON CHASSIS (LONG)**  
**FC3JJPA(EURO 1)**



**Specifications**

Engine Type	Diesel, 4 cycles, 5 Cylinders, In-Line, Water Cooled
Engine Power	156 PS/(ISO NET) @ 2,900 rpm
Displacement	6,634 cc
Air Intake System	Natural Aspirated
Load Capacity	6.77 Tons
Max. Speed	103 Km/h
Gradeability	36.9%
GVWR	9,940 kgs.
Steering	Power Steering
Service Brakes	Air Over Hydraulic, Dual Circuit, Two Leading Shoes (Fr-Rr)
Transmission	5 forward + reverse, Synchromesh 2nd-5th
Wheelbase	4,350 mm
Recommended Body Length	18 ft
Tires	8.25R16-14 PR
Warranty	2 Years or 50,000 Kms.

**DIMENSIONS (mm)**



**Included Option:**

- Air Conditioner
- Back Buzzer
- Fog Lamps
- 200L Fuel Tank
- AM/FM Radio w/Clock
- Under Mirror
- Tachometer & Overrun Buzzer