



**HINO**  
**500** Series

**TOYOTA TSUSHO AMERICA, INC.**

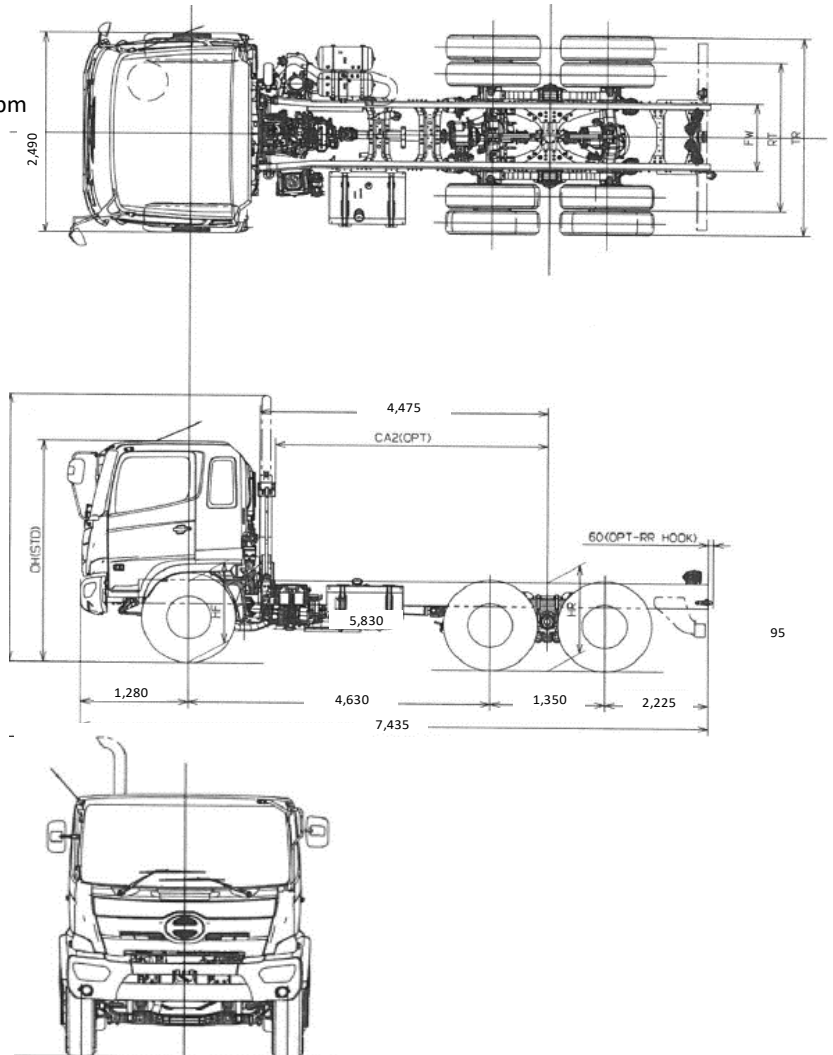
**26 TON CHASSIS (LONG)**  
**FM8JR1A-SG2(EURO 2)**



**Specifications**

Engine Type	Diesel, 4 cycles, 6 cylinders, In-Line, Water Cooled
Engine Power	265 PS/(JIS Gross) @ 2,500 rpm
Displacement	13,500 cc
Fuel Injection Pump	Electronic control, Common Rail Type
Load Capacity	19.0 Tons
Max. Speed	105 Km/h
Gradeability	45.3%
GVWR	26,000 kgs.
Steering	Power Steering
Service Brakes	Furl Air, S-cam, leading and trailing shoe
Transmission	9 forward + reverse, Synchromesh, direct drive
Wheelbase	4,630+1,350 mm
Recommended Body Length	24 ft
Tires	11R22.5-148/145R
Warranty	2 Years or 50,000 Kms.

**DIMENSIONS (mm)**



**Included Option:**

- Air Conditioner
- Back Buzzer
- Fog Lamps
- 200L Fuel Tank
- AM/FM Radio w/Clock
- Under Mirror
- Tachometer & Overrun Buzzer
- Air suspension driver seat