



# HINO 500

Series



TOYOTA TSUSHO AMERICA, INC.

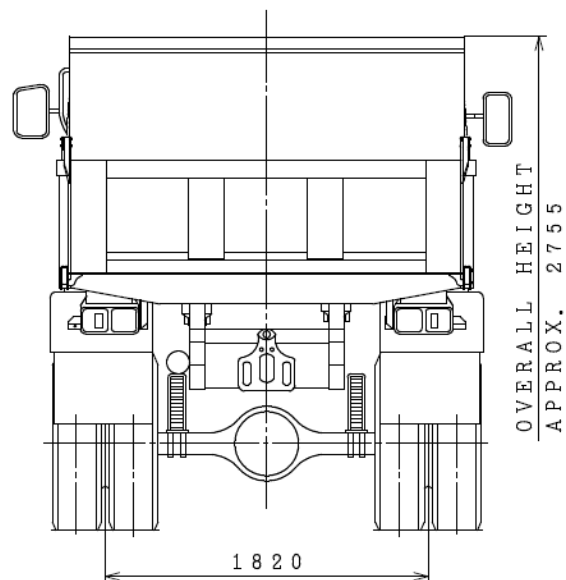
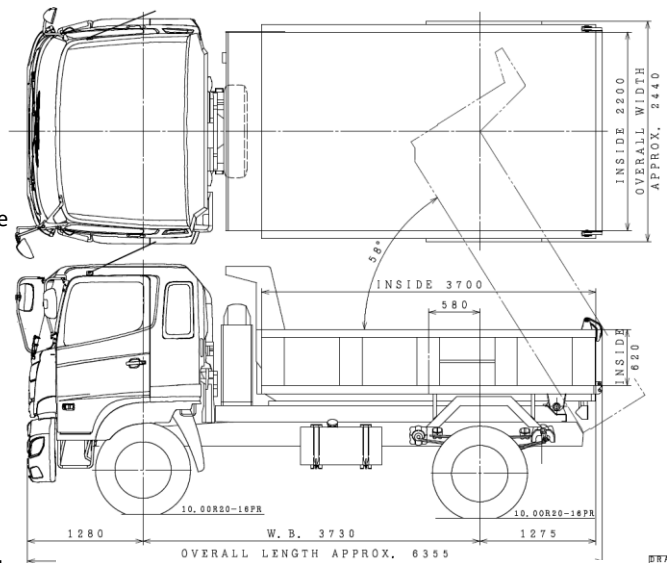
## 5.0 M3 REAR DUMP W/DROP SIDE FG81JFID 5.0M3 DUMP



### Specifications

Engine Type	Diesel, 4 cycles, 6 Cylinders, In-Line, Water Cooled
Engine Power	265 PS/(JIS Gross) @ 2,500 rpm
Displacement	13,500 cc
Fuel Injection Pump	Electronic control, Common Rail Type
Load Capacity	7.5 Tons
Max. Speed	116 Km/h
Gradeability	47.2%
GVWR	15,100 kgs.
Steering	Power Steering
Service Brakes	Furl Air, S-cam, leading and trailing shoes
Transmission	6 forward + reverse, Synchromesh 2nd-6th, overdrive
Wheelbase	3,730 mm
Tires	11R22.5-148/145
Warranty	2 Years or 50,000 Kms.

### DIMENSIONS (mm)



### Included Option:

- Air Conditioner
- 200L Fuel Tank
- Under Mirror
- Air suspension driver seat
- Back Buzzer
- AM/FM Radio w/Clock
- Tachometer & Overrun Buzzer
- Fog Lamps

### Rear Body Basic Specs:

Vessel Type	Rear Dump w/Tailgate
Volume	5.0 m <sup>3</sup>
Suitable for	Mud, Sand, Gravel, Macadam, Rock (less than 50mm)