



HINO
500 Series



TOYOTA TSUSHO AMERICA, INC.

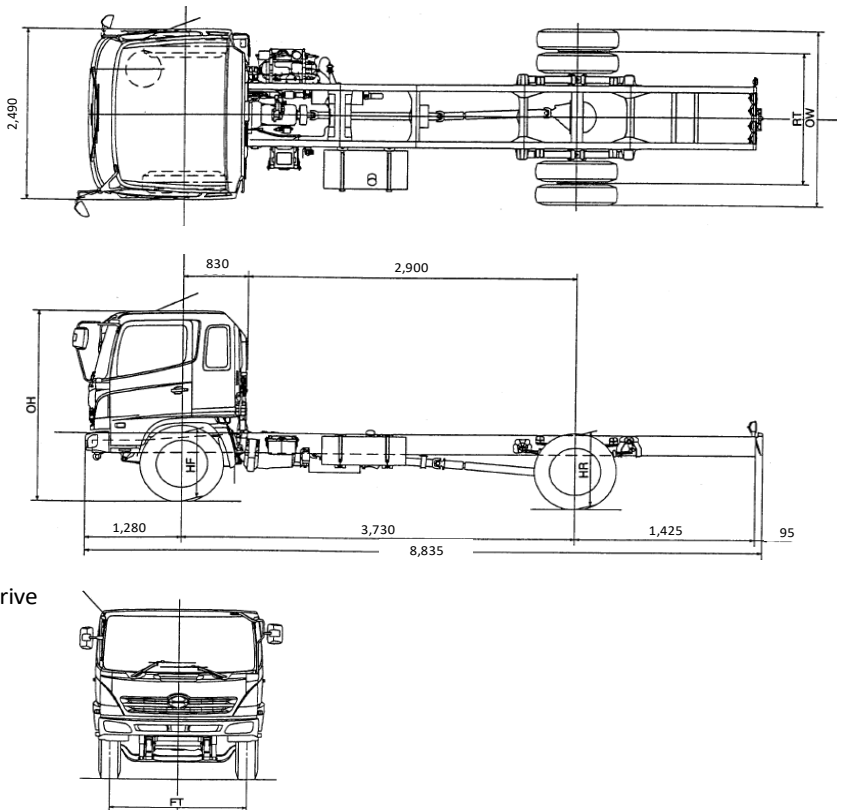
15 TON CHASSIS (SHORT)
FG8JF1D-PG2(EURO 2)



Specifications

Engine Type	Diesel, 4 cycles, 6 cylinders, In-Line, Water Cooled
Engine Power	265 PS/(JIS Gross) @ 2,500 rpm
Displacement	13,500 cc
Fuel Injection Pump	Electronic control, Common Rail Type
Load Capacity	10.0 Tons
Max. Speed	116 Km/h
Gradeability	47.2%
GVWR	15,100 kgs.
Steering	Power Steering
Service Brakes	Furl Air, S-cam, leading and trailing shoes
Transmission	6 forward + reverse, Synchromesh 2nd-6th, overdrive
Wheelbase	3,730 mm
Recommended Body Length	14 ft
Tires	11R22.5-148/145R
Warranty	2 Years or 50,000 Kms.

DIMENSIONS (mm)



Included Option:

- Air Conditioner
- Back Buzzer
- Fog Lamps
- 200L Fuel Tank
- AM/FM Radio w/Clock
- Under Mirror
- Tachometer & Overrun Buzzer
- Air suspension driver seat