



HINO
500 Series



TOYOTA TSUSHO AMERICA, INC.

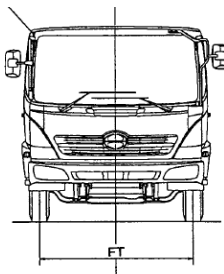
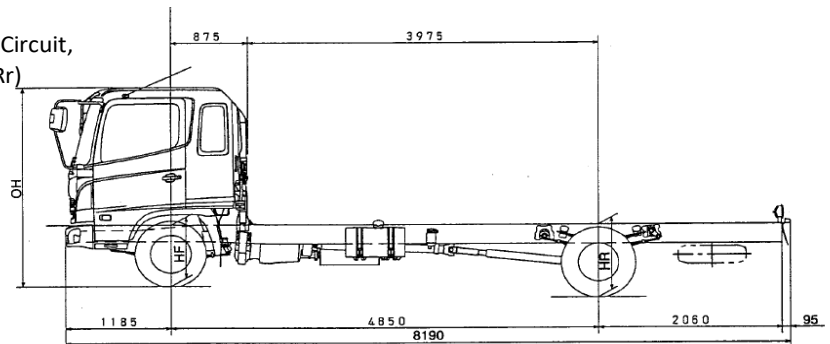
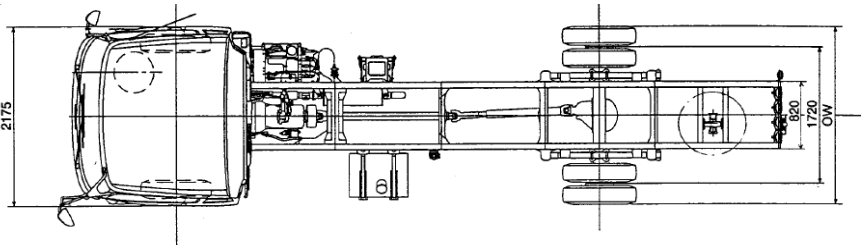
12 TON CHASSIS
GD1JLPA(EURO 1)



Specifications

Engine Type	Diesel, 4 cycles, 6 cylinders, In-Line, Water Cooled
Engine Power	204 PS/(ISO NET) @ 2,900 rpm
Displacement	7,961 cc
Air Intake System	Natural Aspirated
Load Capacity	7.87 Tons
Max. Speed	113 Km/h
Gradeability	39.4%
GVWR	11,780 kgs.
Steering	Power Steering
Service Brakes	Air Over Hydraulic,Dual Circuit, Two Leading Shoes (Fr-Rr)
Transmission	6 forward + reverse, Synchromesh 2nd-6th
Wheelbase	4,850 mm
Recommended Body Length	20 ft
Tires	8.25R20-14 PR
Warranty	2 Years or 50,000 Kms.

DIMENSIONS (mm)



Included Option:

- Air Conditioner
- Back Buzzer
- Fog Lamps
- 200L Fuel Tank
- AM/FM Radio w/Clock
- Under Mirror
- Tachometer & Overrun Buzzer