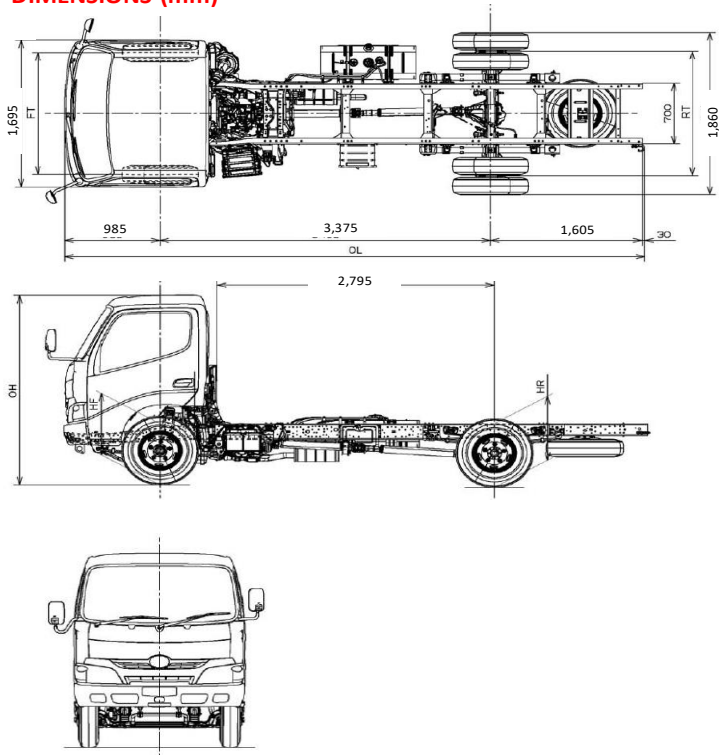




TOYOTA TSUSHO AMERICA, INC.
MEDIUM CHASSIS (STANDARD)
XZU650R-WKMMJ3 (EURO 3)

DIMENSIONS (mm)



Specifications

Engine Type	Diesel, 4 cycles, 4 Cylinders, In-Line, Water Cooled
Engine Power	116ps / (ISO Gross) @ 2,500rpm
Displacement	4,009 cc
Fuel Injection pump	Elec. Control Common Rail
Load Capacity	3.4 Tons
Max. Speed	102 Km/h
Gradeability	49.2%
GVWR	5,500 kgs.
Steering	Power Steering
Service Brakes	Vacuum Assist, Dual Circuit, Hydraulic
Transmission	5 forward + reverse, Overdrive, Synchronesh 1st-5th
Wheelbase	3,375 mm
Recommended Body Length	14 ft.
Tires	7.00R16-10 PR, RIB Type
Warranty	3 Years or 100,000 Kms.

Included Option:

- Back Buzzer
- Fog Lamps
- Air Conditioner
- AM/FM w/USB ,AUX, Bluetooth Radio

AVAILABLE BODY APPLICATIONS:



CAB INTERIOR

